

Rigid Networking Series

The BCD-RGD-402P-UMT is a high performance six port, industrial managed gigabit Ethernet switch with four 10/100/1000M PoE ports and two gigabit SFP ports. The four PoE ports support IEEE802.3af/at standard. The switch supports Ethernet Ring Protection Switching (ERPS) as well as STP/RSTP/MSTP. It also supports Web-based network management, VLAN, QoS, SNMP, IGMP snooping and other network functions. Rugged design with IP40 enclosure and industrial level 3 ESD protection makes it suitable for IP surveillance and industrial networks. The series is available in either DIN rail or wall-mount configurations.

KEY FEATURES



Port Density: 6 Ports



Environmentally Hardened



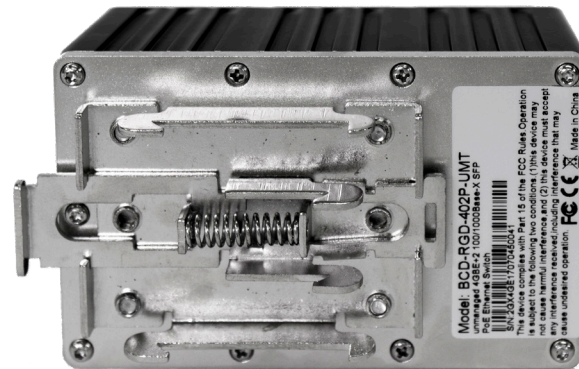
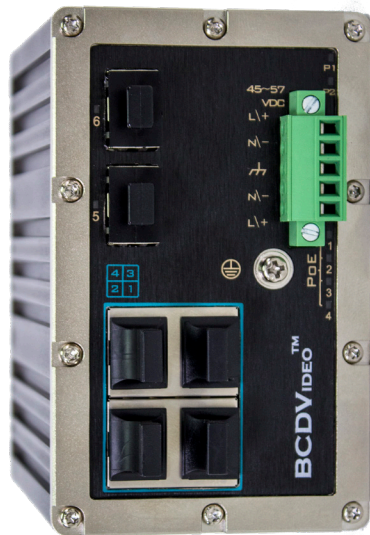
UnManaged



-40°F to 167°F (-40°C to 75°C)

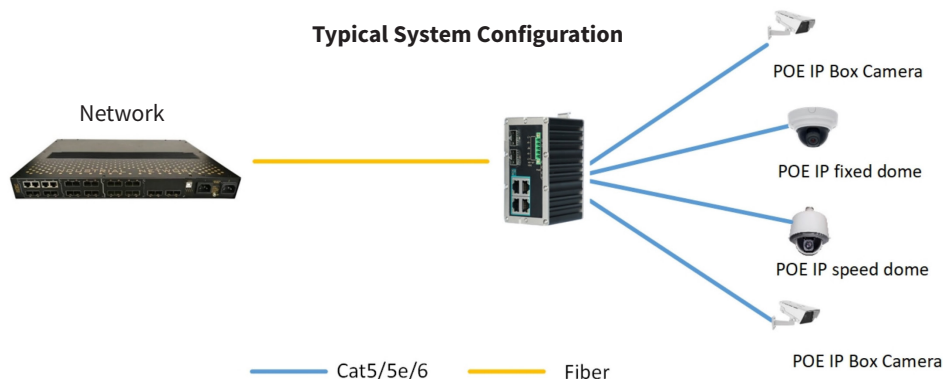


5-Year Warranty



SYSTEM	
RJ45 Ports	(4) 10/100/1000MBase-T
Optical Ports	(2) 1000MBase-X SFP
Auto-Negotiation	10/100/1000Mbps-Full/Half-duplex Auto MDI/MDI-X
Multicast	Supported
Broadcast Storm Control	Supported
Port Naming	Capable
Redundant Power	Capable

ELECTRICAL/MECHANICAL					
Redundant Power Input	2 x 48 ~ 57VDC (Terminal Block) Note: Power supply not included.				
Power Input Overload	Automatic Resettable				
Overload Current Protection	Yes				
Reverse Polarity Protection	Yes				
Input Voltage Range	48-55 VDC				
Power Status	Power 1, Power 2				
Ethernet (per port)	LINK/Activity				
SFP	LINK/Activity				
PoE (Power Supply to PD)	Budget	Standard	Max Power (per port)	PSE Type	Power Pin Assignment
	120W	802.3 af/at	30W	End-Span	1/2(+), 3/6(-)
Mounting Options	DIN Rail or Wall-Mount				
Enclosure	IP40 Metal Case				
Dimensions (WxDxH)	2.44" (62mm) x 3.41" (86.5mm) x 3.94" (100mm)				
Max Weight	1.32 lbs. (.6kg)				
ETHERNET					
Standards	IEEE2.3, IEEE802.3u, IEEE802.3z, IEEE802.3ab				
Processing Type	Store-and-Forward				
Switch Performance	12Gbps				
Forward Filter Rate	1.488 Mpps (max)				
Frame Buffer Memory	1 Mbit				
Packet Buffer Memory	1 Mbit				
Max. Packet Length	9.6 Kilobytes Jumbo Frame				
Address Table Size	1024K MAC addresses				
ENVIRONMENTAL					
Operating Temperature	-40°F to 167°F (-40°C to 75°C)				
Storage Temperature	-40°F to 185°F (-40°C to 85°C)				
Operating Humidity	5 ~ 90% (non-condensing)				
REGULATORY APPROVALS					
ISO9001, CE, FCC, RoHSEMI EN55022:2010+AC:2011, ClassA EN61000-3-2:2006+A1:2009+A2:2009 EN61000-3-3:2013 EN55024:2010					



FOR MORE INFORMATION: bcdvideo.com | sales@bcdvideo.com | +1.847.205.1922 **TECH SUPPORT:** support@bcdvideo.com | +1.844.462.2384

Copyright © 2018, BCDVideo. All rights reserved. This document is provided for information purposes only. The contents are subject to change without notice.