



■ Features :

- High efficiency 91% and low power dissipation
- 150% peak load capability
- Built-in active PFC function, PF>0.93
- Protections: Short circuit / Overload / Over voltage / Over temperature
- Cooling by free air convection
- Can be installed on DIN rail TS-35/7.5 or 15
- UL 508 (industrial control equipment) approved
- EN61000-6-2(EN50082-2) industrial immunity level
- Built-in DC OK relay contact
- 100% full load burn-in test
- 3 years warranty

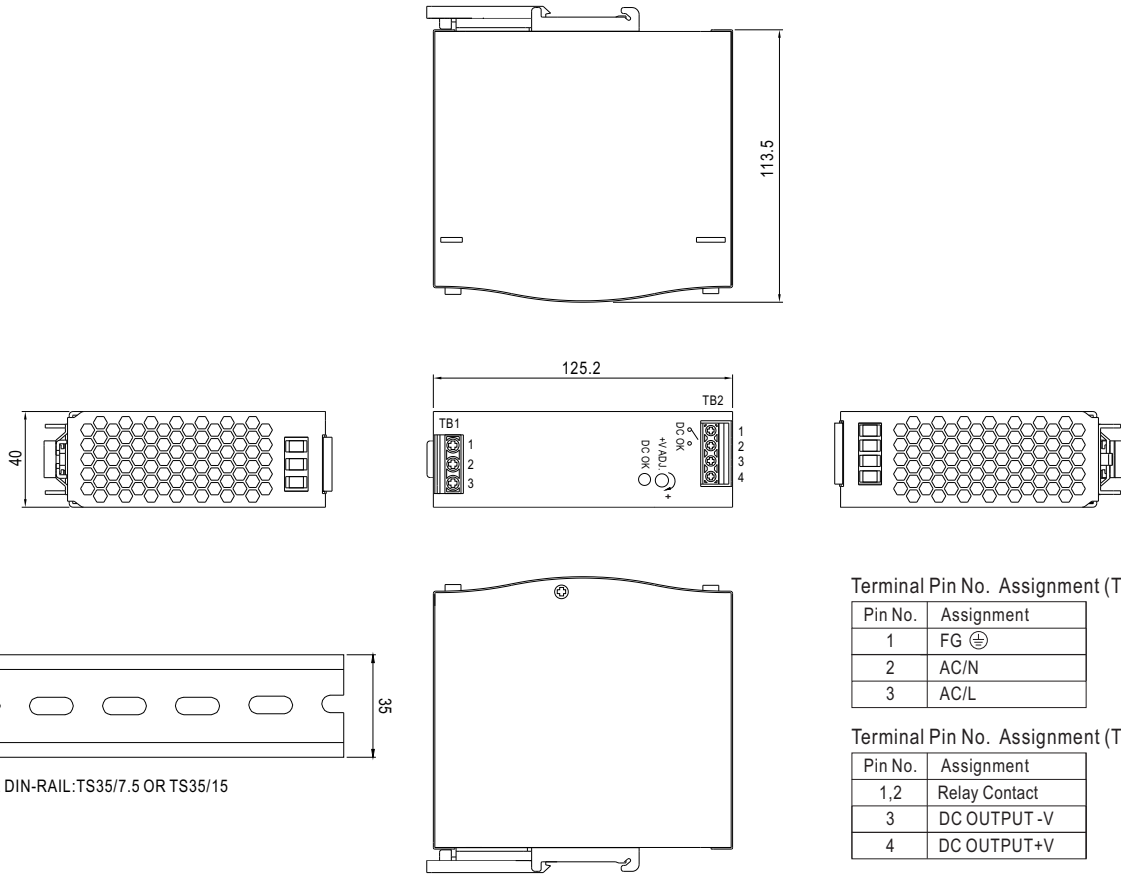


SPECIFICATION

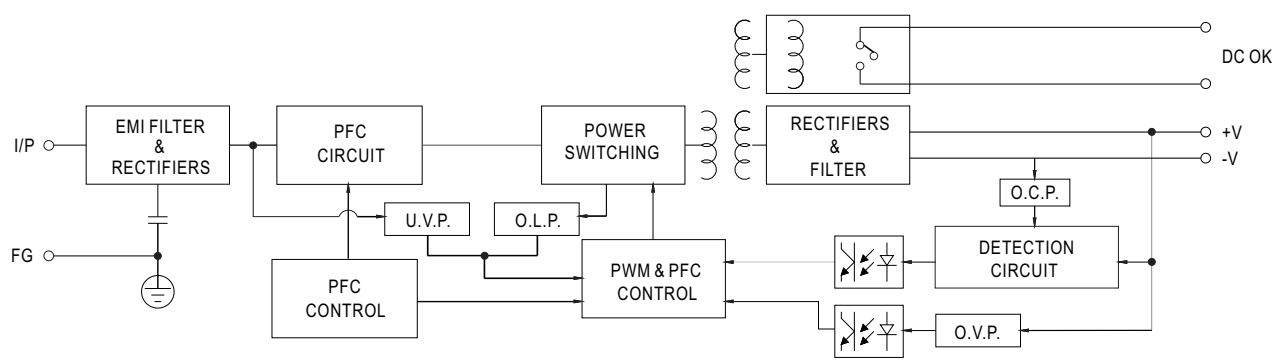
| MODEL | SDR-120-24 | | SDR-120-48 | |
|--------------------------------------|--|--|----------------------------------|--|
| OUTPUT | DC VOLTAGE | 24V | 48V | |
| | RATED CURRENT | 5A | 2.5A | |
| | CURRENT RANGE | 0 ~ 5A | 0 ~ 2.5A | |
| | RATED POWER | 120W | 120W | |
| | PEAK CURRENT | 7.5A | 3.75A | |
| | PEAK POWER <small>Note.6</small> | 180W (3 sec.) | | |
| | RIPPLE & NOISE (max.) <small>Note.2</small> | 100mVp-p | 120mVp-p | |
| | VOLTAGE ADJ. RANGE | 24 ~ 28V | 48 ~ 55V | |
| | VOLTAGE TOLERANCE <small>Note.3</small> | ± 1.0% | ± 1.0% | |
| | LINE REGULATION | ± 0.5% | ± 0.5% | |
| | LOAD REGULATION | ± 1.0% | ± 1.0% | |
| | SETUP, RISE TIME | 1500ms, 60ms/230VAC | 3000ms, 60ms/115VAC at full load | |
| HOLD UP TIME (Typ.) | 20ms/230VAC | 20ms/115VAC at full load | | |
| INPUT | VOLTAGE RANGE <small>Note.7</small> | 88 ~ 264VAC | 124 ~ 370VDC | |
| | FREQUENCY RANGE | 47 ~ 63Hz | | |
| | POWER FACTOR (Typ.) | 0.93/230VAC | 0.96/115VAC at full load | |
| | EFFICIENCY (Typ.) | 91% | 90.5% | |
| | AC CURRENT (Typ.) | 1.4A/115VAC | 0.7A/230VAC | |
| | INRUSH CURRENT (Typ.) | 35A/115VAC | 70A/230VAC | |
| | LEAKAGE CURRENT | <1mA / 240VAC | | |
| PROTECTION | OVERLOAD | Normally works within 110 ~ 150% rated output power for more than 3 seconds and then shut down o/p voltage >150% rated power, constant current limiting with auto-recovery within 3 seconds and shut down o/p voltage after 3 seconds | | |
| | OVER VOLTAGE | 29 ~ 33V | 56 ~ 65V | |
| | OVER TEMPERATURE | 95°C ± 5°C (TSW) detect on heatsink of power switch Protection type : Shut down o/p voltage, recovers automatically after temperature goes down | | |
| FUNCTION | DC OK REALY CONTACT RATINGS (max.) | 60Vdc/0.3A, 30Vdc/1A, 30Vac/0.5A resistive load | | |
| ENVIRONMENT | WORKING TEMP. | -25 ~ +70°C (Refer to "Derating Curve") | | |
| | WORKING HUMIDITY | 20 ~ 95% RH non-condensing | | |
| | STORAGE TEMP., HUMIDITY | -40 ~ +85°C, 10 ~ 95% RH | | |
| | TEMP. COEFFICIENT | ± 0.03%/°C (0 ~ 50°C) | | |
| | VIBRATION | Component:10 ~ 500Hz, 2G 10min./1cycle, 60min. each along X, Y, Z axes; Mounting: Compliance to IEC60068-2-6 | | |
| SAFETY & EMC <small>(Note 4)</small> | SAFETY STANDARDS | UI508, TUV EN60950-1 approved;(meet EN60204-1) | | |
| | WITHSTAND VOLTAGE | I/P-O/P:3KVAC I/P-FG:2KVAC O/P-FG:0.5KVAC O/P-DC OK:0.5KVAC | | |
| | ISOLATION RESISTANCE | I/P-O/P, I/P-FG, O/P-FG:>100M Ohms / 500VDC / 25°C / 70% RH | | |
| | EMC EMISSION | Compliance to EN55011, EN55022 (CISPR22), EN61204-3 Class B, EN61000-3-2,-3 | | |
| | EMC IMMUNITY | Compliance to EN61000-4-2,3,4,5,6,8,11, EN55024, EN61000-6-2 (EN50082-2), EN61204-3, heavy industry level, criteria A, SEMI F47, GL approved | | |
| OTHERS | MTBF | 289.9K hrs min. MIL-HDBK-217F (25°C) | | |
| | DIMENSION | 40*125.2*113.5mm (W*H*D) | | |
| | PACKING | 0.67Kg; 20pcs/14.4Kg/1.16CUFT | | |
| NOTE | <ol style="list-style-type: none"> 1. All parameters NOT specially mentioned are measured at 230VAC input, rated load and 25°C of ambient temperature. 2. Ripple & noise are measured at 20MHz of bandwidth by using a 12" twisted pair-wire terminated with a 0.1uf & 47uf parallel capacitor. 3. Tolerance : includes set up tolerance, line regulation and load regulation. 4. The power supply is considered a component which will be installed into a final equipment. The final equipment must be re-confirmed that it still meets EMC directives. 5. Installation clearances : 40mm on top, 20mm on the bottom, 5mm on the left and right side are recommended when loaded permanently with full power. In case the adjacent device is a heat source, 15mm clearance is recommended. 6. 3 seconds max., please refer to peak loading curves. 7. Derating may be needed under low input voltage. Please check the derating curve for more details. | | | |

Mechanical Specification

Case No.992A Unit:mm



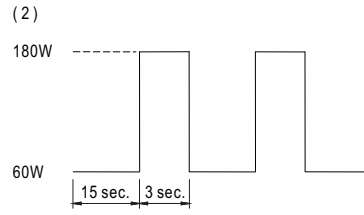
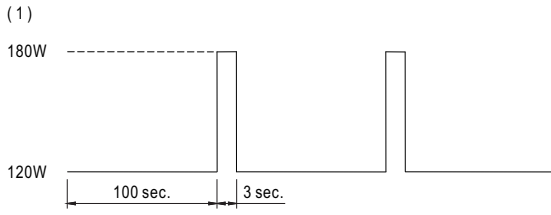
Block Diagram



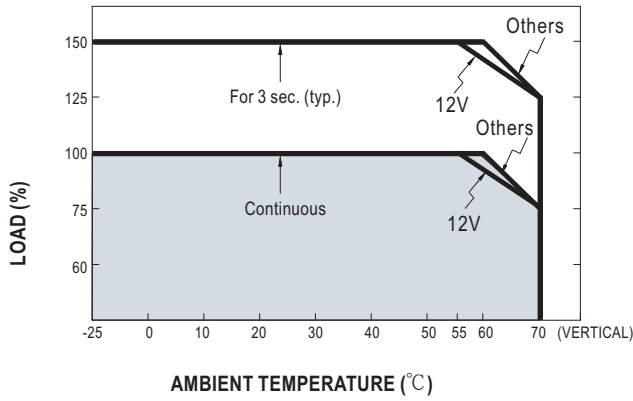
DC OK Relay Contact

| | |
|------------------------|--------------------------|
| Contact Close | PSU turns on / DC OK. |
| Contact Open | PSU turns off / DC Fail. |
| Contact Ratings (max.) | 30V/1A resistive load. |

Peak Loading



Derating Curve



Output derating VS input voltage

